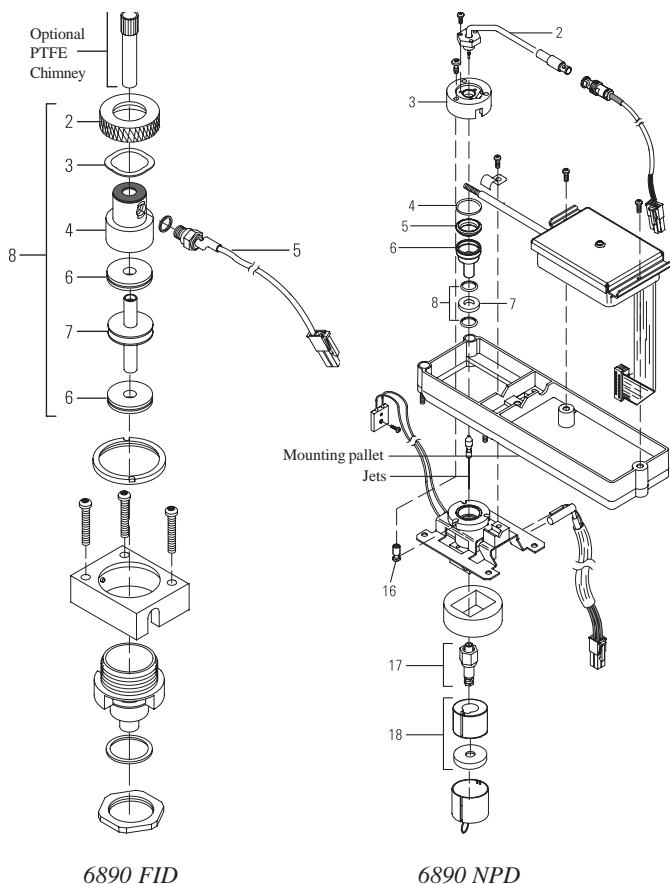


6890 NPD Supplies

| Cat. No. | Description |
|---------------------------|---|
| G1534-60570 ² | NPD white ceramic bead assembly* |
| 5183-2007 | NPD black ceramic bead assembly** |
| G1534-80510 ³ | Lid weldment |
| 0905-2580 ⁴ | Metal C-ring, top |
| G1534-40020 ⁵ | Alumina insulator, upper |
| G1534-20530 ⁶ | Collector funnel |
| G1534-40030 ⁷ | Alumina insulator, lower |
| 0905-1284 ⁸ | Metal C-ring, bottom |
| 5182-9722 ¹⁶ | NPD ceramic insulator kit |
| 19244-80610 ¹⁷ | Capillary column adapter for packed NPD |
| 19231-80520 | 1/8" packed column adapter for packed NPD |
| 19231-80530 | 1/4" packed column adapter for packed NPD |
| 19234-60720 ¹⁸ | Nut warmer cup with insulation |
| 5080-8774 | 1/4" Vespel ferrule, 10/pk |
| 5080-8773 | 1.0mm graphite ferrule, 10/pk |
| 5080-8853 | 0.5mm graphite ferrule, 10/pk |
| 5180-4105 | 1/4" brass tubing nut, 10/pk |
| 5181-8830 | Column nut, 2/pk |
| 18789-60060 | NPD chemical sample kit solution |

* This bead is more sensitive but exhibits some tailing for phosphorous compounds.
 ** The black bead is potentially less sensitive but does not exhibit peak tailing and typically has longer lifetime.



6890/6850 FID Supplies

| Cat. No. | Description |
|--------------------------|---|
| 19231-20940 ² | Collector nut |
| 5181-3311 ³ | Spring washer, 10/pk |
| 19231-20910 ⁴ | Ignitor castle |
| 19231-60680 ⁵ | Ignitor glow plug assembly |
| G1531-20700 ⁶ | Collector insulator |
| G1531-20690 ⁷ | Collector body |
| G1531-60690 ⁸ | FID collector assembly |
| G1531-20700 | Detector insulation assembly |
| 8710-1346 | FID collector cleaning brush |
| 8710-1561 | 1/4" nut driver for FID jet-drilled shaft |

FID jets for capillary dedicated FID

| | |
|-------------|---|
| G1531-80560 | Jet (.011"/0.29mm ID tip), 44mm |
| G1531-80620 | High temp jet (SimDIS .018" ID tip), 44mm |

FID jets, adaptable

| | |
|-------------|---|
| 19244-80560 | Jet, 0.53mm (.011" ID tip), 61.5mm |
| 18710-20119 | Jet, packed (.018" ID tip), 63.5mm |
| 18789-80070 | Jet, packed (.030" ID tip), 63.5mm |
| 19244-80620 | High temp jet (SimDIS .018" ID tip), 61.5mm |

FID consumables

| | |
|-------------|--|
| 19301-60660 | FID flow measuring insert |
| 18710-60170 | FID performance evaluation sample kit |
| 5180-4152 | Cleaning wire for .53mm/.018" jet, 5/pk |
| 9301-0985 | Cleaning kit (reamers, mini brush, handle) |

6890 FPD Supplies

| Cat. No. | Description |
|---------------------------|-----------------------------------|
| 5180-4105 ² | Nut, brass, 1/4" |
| 5080-8774 ³ | Ferrule, Vespel/graphite, 1/4" ID |
| 19256-80560 ⁴ | Weldment, block |
| 0905-1102 ⁵ | O-ring, ignitor, Kalrez |
| 19256-20590 ⁶ | Spacer, ignitor |
| 0854-0141 ⁷ | Glow Plug |
| G1535-60600 ⁸ | Ignitor cable assembly |
| 19256-80040 ⁹ | Gasket, heat shield |
| 19256-80030 ¹⁰ | Window, first heat shield |
| 19256-20580 ¹¹ | Disk, heat shield |
| 19256-20550 ¹² | Coupling, SS |
| 0515-0911 ¹⁴ | Screw, M3 x 12 (4 required) |
| 19256-00090 ¹⁵ | Clamp |
| 5061-5886 ¹⁶ | O-ring, inner window, 12/pk |
| 19256-80060 ¹⁷ | Window, second heat shield |
| 5061-5891 ¹⁸ | O-ring, outer window, 12/pk |
| 19256-20510 ¹⁹ | Flange adapter |
| 19256-00200 ²⁰ | Flange ring |
| 5061-5890 ²¹ | O-ring, Viton, 1.239" ID, 12/pk |

