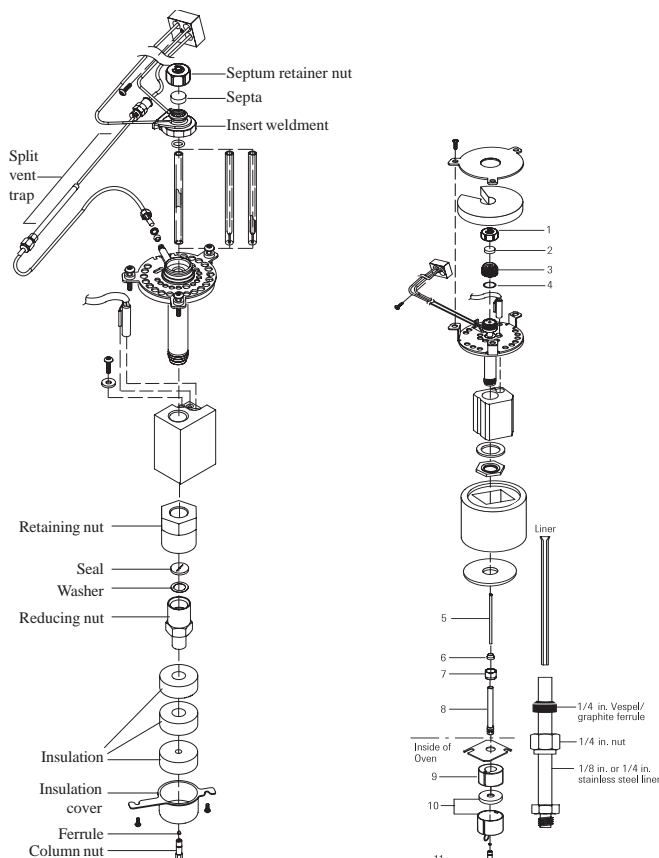


GC Supplies

Agilent Instrument Parts and Supplies



6890/6850 GC
Split/Splitless Inlet

6890/6850 GC
Packed Port Inlet

6890/6850 Split/Splitless Inlet Supplies

Cat. No.	Description
18740-60830	Septum retainer nut for headspace
18740-60835	Septum retainer nut
5183-4757	Septa, bleed temperature optimized, 50/pk
19251-60575	Insert weldment standard manual pneumatics
G1544-60575	Orig. std EPC using 1/4" split vent filter
G1544-60585	S/SL insert weldment
5180-4168	Graphite o-rings for split liner, 12/pk
5180-4173	Graphite o-rings for split liner, 10/pk
5180-4182	Fluorocarbon elastomer o-ring, 10/pk
5183-4647	Liner, split, glass wool, taper, deact., 25/pk
5181-3316	Liner, splitless, taper, deact., each
5183-4696	Liner, splitless, taper, deact., 25/pk
G1544-60610	Split trap vent kit w/repl. cart., optional
G1544-80530	Replacement cartridge for G1544-60610
G1544-80550	Slit vent trap assembly
G1544-20590	Retaining nut
18740-20880	SS seal
18740-20885	Gold plated seal
5182-9652	Gold plated seal with cross
5061-5869	Washer, 0.375" OD
18740-20800	Reducing nut
19243-00067	Insulation (requires 3)

6890/6850 Packed Port Inlet Supplies

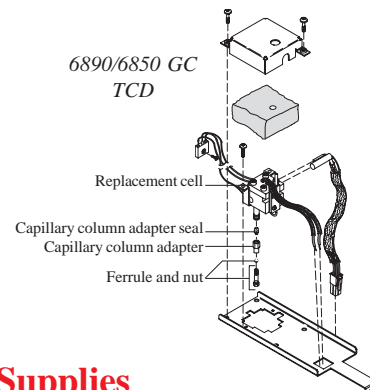
Selecting Adapters and Liners for Packed Inlets

For purged-packed inlets, adapter selection is dependent on the type of column used: 1/4" packed, 1/8" packed, or 0.53mm. It allows the columns to be connected to the inlet. Glass liners are often used with metal adapters to reduce reactivity and trap nonvolatile residues. Liners are installed from the top of the inlet and should be installed before the column.

Cat. No.	Description	Qty.
18740-60835	¹ Septum nut	1
5183-4757	² Septa, BTO, 11mm	50
19243-80570	³ Top insert weldment	1
5080-8898	⁴ Viton o-rings	12
5080-8732	⁵ Glass liner, disposable	25
5181-3382	⁵ Glass liner, disposable/deactivated	5
5080-8774	⁶ Vespel/graphite ferrules, 1/4" ID	10
5180-4105	⁷ Tubing nut, 1/4" brass	10
19244-80540	⁸ 0.53mm column adapter w/glass liner	1
19243-80530	⁸ 1/8" column adapter w/glass liner	1
19243-00067	⁹ Upper insulation	1
19234-60720	¹⁰ Nut warmer cup with insulation	1
5181-8830	¹¹ Column nut for 0.53mm column	2

7694 Headspace Sampler Supplies

Cat. No.	Description
301-222-HSP	Needle, transfer line, Silcosteel
301-220-HSP	Needle assembly vial probe, Silcosteel
301-015-HSP	Needle for transfer line, 0.4 ID, 0.8mm OD, Ni
301-016-HSP	Needle for transfer line, 0.25 ID, 0.5 OD, Ni
301-212-HSP	Tube, needle, 6-port valve, Silcosteel
301-013-HSP	Needle assembly (vial probe)



6890/6850 TCD Supplies

Cat. No.	Description
G1532-60675	TCD replacement cell
18740-20950	TCD cap column adapter seal
18740-20960	TCD cap column adapter

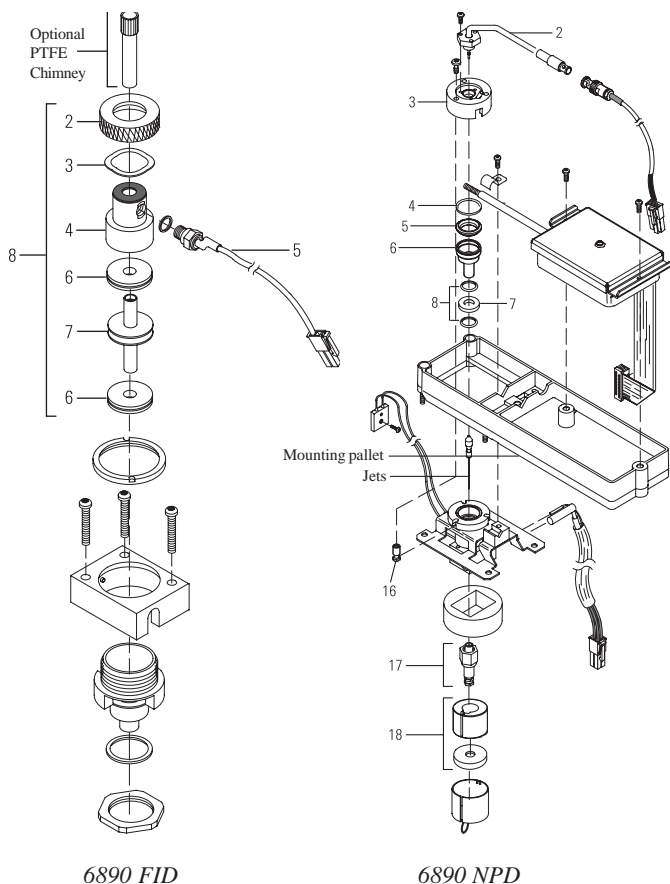
6890 ECD Supplies

Cat. No.	Description
19234-60720	Nut warmer cup with insulation
18713-60040	ECD chemical sample kit, 3 ampoules

6890 NPD Supplies

Cat. No.	Description
G1534-60570 ²	NPD white ceramic bead assembly*
5183-2007	NPD black ceramic bead assembly**
G1534-80510 ³	Lid weldment
0905-2580 ⁴	Metal C-ring, top
G1534-40020 ⁵	Alumina insulator, upper
G1534-20530 ⁶	Collector funnel
G1534-40030 ⁷	Alumina insulator, lower
0905-1284 ⁸	Metal C-ring, bottom
5182-9722 ¹⁶	NPD ceramic insulator kit
19244-80610 ¹⁷	Capillary column adapter for packed NPD
19231-80520	1/8" packed column adapter for packed NPD
19231-80530	1/4" packed column adapter for packed NPD
19234-60720 ¹⁸	Nut warmer cup with insulation
5080-8774	1/4" Vespel ferrule, 10/pk
5080-8773	1.0mm graphite ferrule, 10/pk
5080-8853	0.5mm graphite ferrule, 10/pk
5180-4105	1/4" brass tubing nut, 10/pk
5181-8830	Column nut, 2/pk
18789-60060	NPD chemical sample kit solution

* This bead is more sensitive but exhibits some tailing for phosphorous compounds.
 ** The black bead is potentially less sensitive but does not exhibit peak tailing and typically has longer lifetime.



6890/6850 FID Supplies

Cat. No.	Description
19231-20940 ²	Collector nut
5181-3311 ³	Spring washer, 10/pk
19231-20910 ⁴	Ignitor castle
19231-60680 ⁵	Ignitor glow plug assembly
G1531-20700 ⁶	Collector insulator
G1531-20690 ⁷	Collector body
G1531-60690 ⁸	FID collector assembly
G1531-20700	Detector insulation assembly
8710-1346	FID collector cleaning brush
8710-1561	1/4" nut driver for FID jet-drilled shaft

FID jets for capillary dedicated FID

G1531-80560	Jet (.011"/0.29mm ID tip), 44mm
G1531-80620	High temp jet (SimDIS .018" ID tip), 44mm

FID jets, adaptable

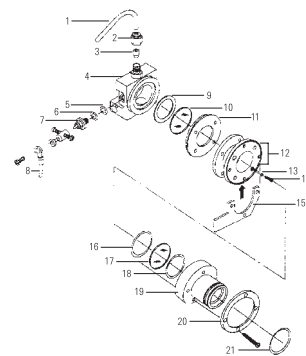
19244-80560	Jet, 0.53mm (.011" ID tip), 61.5mm
18710-20119	Jet, packed (.018" ID tip), 63.5mm
18789-80070	Jet, packed (.030" ID tip), 63.5mm
19244-80620	High temp jet (SimDIS .018" ID tip), 61.5mm

FID consumables

19301-60660	FID flow measuring insert
18710-60170	FID performance evaluation sample kit
5180-4152	Cleaning wire for .53mm/.018" jet, 5/pk
9301-0985	Cleaning kit (reamers, mini brush, handle)

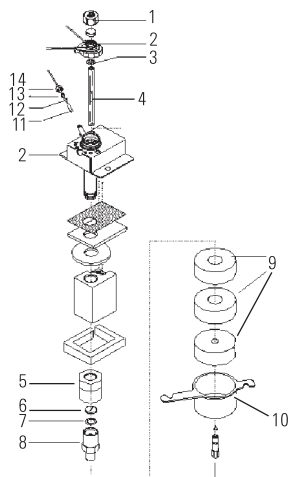
6890 FPD Supplies

Cat. No.	Description
5180-4105 ²	Nut, brass, 1/4"
5080-8774 ³	Ferrule, Vespel/graphite, 1/4" ID
19256-80560 ⁴	Weldment, block
0905-1102 ⁵	O-ring, ignitor, Kalrez
19256-20590 ⁶	Spacer, ignitor
0854-0141 ⁷	Glow Plug
G1535-60600 ⁸	Ignitor cable assembly
19256-80040 ⁹	Gasket, heat shield
19256-80030 ¹⁰	Window, first heat shield
19256-20580 ¹¹	Disk, heat shield
19256-20550 ¹²	Coupling, SS
0515-0911 ¹⁴	Screw, M3 x 12 (4 required)
19256-00090 ¹⁵	Clamp
5061-5886 ¹⁶	O-ring, inner window, 12/pk
19256-80060 ¹⁷	Window, second heat shield
5061-5891 ¹⁸	O-ring, outer window, 12/pk
19256-20510 ¹⁹	Flange adapter
19256-00200 ²⁰	Flange ring
5061-5890 ²¹	O-ring, Viton, 1.239" ID, 12/pk

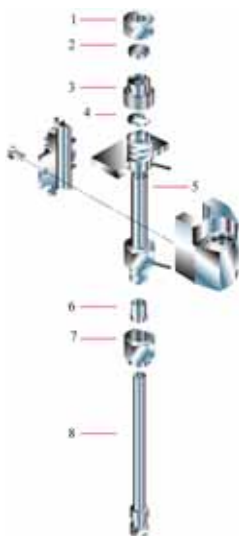


GC Supplies

Agilent Instrument Parts and Supplies



5890 Split/Splitless Inlet



5890 Septum-Purged Packed Column Inlet

5890 Split/Splitless Inlet Supplies

Cat. No.	Description
18740-60835	¹ Septum retainer nut
18740-60830	Retainer nut for headspace sampling
19251-60575	² Split/splitless insert weldment with tubing
5180-4168	³ Graphite O-ring for split liner, 10/pk
5180-4173	Graphite O-ring for splitless liner, 10/pk
5180-4182	Fluorocarbon elastomer O-ring, 12/pk
19251-20620	⁵ Retaining nut
18740-20880	⁶ SS seal
18740-20885	Gold plated seal
5182-9652	Gold plated seal, cross
5061-5869	⁷ Washer, 12/pk
18740-20800	⁸ Reducing nut
19243-00067	⁹ Insulation (must order quantity 3)

For Split/Splitless Inlets using Electronic Pressure Control

Cat. No.	Description	Qty.
19251-80525	Splitter tube*	1
5180-4109	Front ferrule, 1/8" brass	10
5180-4115	Back ferrule, 1/8" brass	10
5180-4103	Tubing nut, 1/8" brass	10
5180-4153	Capillary inlet cleaning wires	5

* Includes 1 each of 5180-4109, 5180-4115, 5180-4103.



18740-20885
Gold plated seal

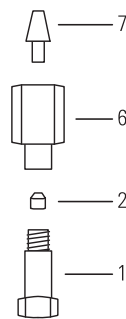
5890 Packed Column Inlet Supplies

Septum purged packed column inlet

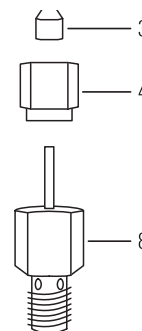
Cat. No.	Description
18740-60835	¹ Septum retainer nut
18740-60830	Headspace septum retainer nut
5183-4757	² Septa, BTO, 11mm OD, 50/pk
19243-80570	³ Top insert weldment
5080-8898	⁴ Fluorocarbon elastomer O-rings, 12/pk
5080-8774	⁶ Vespel ferrules, 10/pk
5180-4105	⁷ Tubing nut, 1/4" brass, 10/pk
19244-80540	⁸ 0.53mm column adapter w/glass liner
19243-80530	1/8" column adapter w/glass liner
5080-8732	Glass liner, disposable, 170µL, 25/pk
5181-3382	Glass liner, disposable, deact, 170µL, 5/pk

5890 Cool On-Column Inlet Supplies

Cat. No.	Description
19245-60760	Spring
19245-20580	Inserts for 530µm columns (no rings)



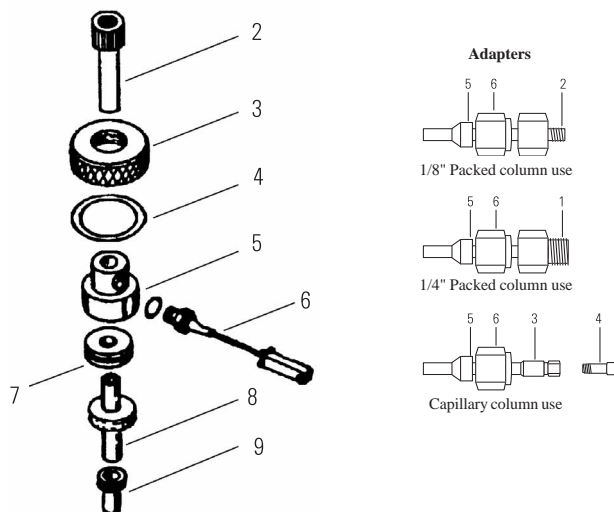
TCD Capillary
without Makeup Adapter



TCD for Packed or 1/4"
Glass Column

5890 TCD Supplies

Cat. No.	Description
5181-8830	¹ Capillary column nut, 2/pk
5080-8853	² Graphite ferrule, 0.5mm ID, 10/pk
5080-8773	Graphite ferrule, 1.0mm ID, 10/pk
0100-1332	³ Vespel ferrule, 1/8" ID, 10/pk
5180-4103	⁴ Tubing nut, 1/8" brass, 10/pk
18740-20960	⁶ TCD column adapter for capillary columns
18740-20950	⁷ TCD column adapter seal
19302-80020	⁸ TCD column adapter, 1/8" to 1/4" glass
19232-60676	TCD replacement cartridge



5890 FID Supplies

Cat. No.	Description
19231-60690	¹ Collector assembly (contains items 2-9)
19231-21050	² PTFE chimney (optional)
19231-20940	³ Collector nut
5181-3311	⁴ Spring washer, 10/pk
19231-20910	⁵ Ignitor castle
19231-60680	⁶ Ignitor glow plug assembly
19231-20970	⁷ Upper collector insulator
19231-20960	⁸ Collector body
19231-20950	⁹ Lower collection insulator
19234-60720	Detector nut warmer
19301-60660	FID flow measuring insert
8710-1346	FID collector cleaning brush, 2/pk
8710-1561	1/4" nut driver for 5890A jet, drilled shaft

FID jets, adaptable

19244-80560	Jet, 0.53mm (.011" ID tip), 61.5mm
18710-20119	Jet, packed (.018" ID tip), 63.5mm
18789-80070	Jet, packed (.030" ID tip), 63.5mm
19244-80620	High temp jet (SimDIS .018" ID tip), 61.5mm

FID consumables

19301-60660	FID flow measuring insert
18710-60170	FID performance evaluation sample kit
5180-4152	Cleaning wire for .53mm/.018" jet, 5/pk
9301-0985	Cleaning kit (reamers, mini brush, handle)



FID Cleaning Kit

5890 NPD Supplies

Cat. No.	Description
19234-60540	NPD collector (NPD bead)
5080-8872	Recoating kit, sufficient for 10 collectors
18789-60060	NPD performance evaluation sample kit

FID and NPD Adapters

Cat. No.	Description
19231-80530	1/4" packed column adapter
19231-80520	1/8" packed column adapter
19244-80610	Capillary column adapter
5181-8830	Capillary column column nut, 2/pk
5080-8774	Vespel ferrule, 1/4", 10/pk
5080-8773	Graphite ferrule, 1.0mm, 10/pk
5080-8853	Graphite ferrule, 0.5mm, 10/pk
5180-4105	Tubing nut, 1/4" brass, 10/pk

5890 ECD Supplies

Cat. No.	Description
18713-60040	ECD Performance evaluation sample kit

5890 FPD Supplies

Cat. No.	Description	Qty.
5061-5886	Window O-ring, inner	12
5061-5891	Window O-ring, outer	12
19256-80030	Window, heat shield, 1st	1
5080-8774	Vespel ferrule, 1/4"	10
5061-5867	FPD O-ring	12
5180-4182	O-ring, Viton	12
19256-60590	Liner/ferrule kit	1
0905-1101	Kalrez O-ring, size 2-002	1
0905-1102	Kalrez O-ring, size 2-010	1
0905-1103	Kalrez O-ring, size 2-011	1
5061-5889	Fluorocarbon Elastomer O-ring	12

GC Supplies

Agilent Instrument Parts and Supplies

MSD Ion Source Cleaning Supplies

Cat. No.	Description	Qty.
8650-0030	Nylon gloves, lint-free, large	1
8650-0029	Nylon gloves, lint-free, small	1
9310-4828	Lint-free wipes, cotton, 9 x 9"	300
05980-60051	Cloths, lint-free	15
5061-5896	Abrasive sheets, 600 mesh	5
8500-0656	PFTBA sample, certified	10g
05980-20018	PFTBA glass vial	1
5080-5400	Cotton swabs	100

5972/5971 (EI) MSD Ion Source Parts

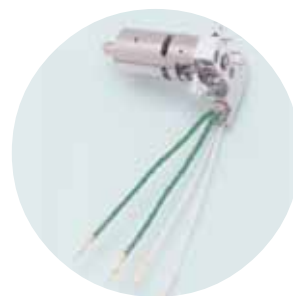
Cat. No.	Description
05971-20126	Entrance lens
05971-20130	Lens insulator, 2/pk
05971-20143	Ion focus lens
G1072-20008	Drawout cylinder
05971-20134	Drawout plate
05971-20128	Ion source body
0515-1446	Set screw
05971-60170	Repeller assembly
0515-1046	Screw (for filament on the source)
05971-20305	Transfer line tip, gold plated

MSD Filaments

Cat. No.	Description
05972-60053	Filament, 5973 (EI), 5972 (EI/CI)
G1099-80053	Filament, 5973 (CI), 2/pk
05971-60140	Filament, 5971 (EI/CI), GCD (EI)

5973 (EI) MSD Ion Source Parts

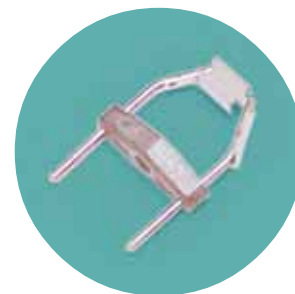
Cat. No.	Description
G1099-20130	Ion source body
G1099-20132	Repeller
G1099-20136	Interface socket
05971-20134	Drawout plate
G1072-20008	Drawout cylinder
05971-20143	Ion focus lens
05971-20126	Entrance lens
G1099-20133	Repeller insulator
0515-1446	Set screw
0535-0071	Repeller nut, 5.5mm, ultraclean
G1099-60104	Ion source sensor
05971-20130	Lens insulator, 2/pk
G1099-60106	Ion source assembly
G1099-60177	Source heater assembly
G1099-60170	Repeller assembly



5973 Ion Source Assembly (EI)



Cleaning and Maintenance Supplies



5973/5972 Filament

MSD Vacuum System and Pumps

Calibration samples

Cat. No.	Description
8500-0656	PFTBA sample, certified, 10 grams
8500-8130	PFDTD sample, 10 g, for 5973 CI source

Diffusion pump

6040-0809	Fluid, SantoVac Ultra 5P, 18.5mL
0960-0376	Ion gauge tube for measuring vacuum (71/72)
0960-0897	Triode gauge tube for meas. vacuum (72/73)

Foreline pump

6040-0798	Rough pump oil, 1 gal Inland 45
6040-0834	Rough pump oil, 1 quart Inland 45
9301-1104	Molecular sieve



Electron Multiplier Replacement Horn

Cat. No.	Description
05971-80103	Electron multiplier replacement horn



New! Flip Top Inlet Sealing System

- Instant access to injection port liner
- Cuts liner replacement time to as little as 30 seconds!
- No more frustrating searches for special tools
- Improved inlet ergonomics – No more handling of heated parts, no more burns or scrapes
- Decreased downtime = Increased productivity
- Installs easily in 15 minutes!

Agilent's new Flip Top Inlet Sealing System is a device designed to allow the user of Agilent's GC's to safely and reliably change an inlet liner in as little as 30 seconds without any tools in a consistent leak-free manner. No longer will you have to contend with frustrating searches for special wrenches or burn your fingers on hot inlets.

The Flip Top has a levered arm that attaches to any 6890/6850/5890 insert weldment and locks to the injection port using an adapter ring screwed onto the inlet. Once installed, simply lift the arm of the Flip Top which releases the insert weldment from the injection port, and allows instant access to the liner. The process is simply reversed to re-seal the weldment to the port.

The inlet liner fluoropolymer O-rings used with the Flip Top are larger than our standard liner O-rings and will need to be replaced at similar intervals. Two O-rings are supplied with the kit, we recommend to keep a couple of spares on hand.

The Flip Top Inlet Sealing System is compatible with inlet temperatures up to 350° C. Warranty: 90 day replacement by factory.

Flip Top Inlet Sealing System Ordering Information

Cat. No.	Description
5188-2717	Flip Top Inlet Sealing System
5188-2741	Inlet liner O-rings for Flip Top, 10/pk



HP Point Style



Agilent Autosampler Syringes

Tapered Needle, 23-26s Gauge Autosampler Syringes

Use one needle and get the benefits of two. The upper portion of the tapered needle offers the strength of a 23 gauge, while the lower portion at 26s gauge allows for use with split/splitless or on-column injections with 0.53mm ID columns. All standard plungers are stainless steel. All syringes are fixed needle. Needles are 42mm in length and a HP point style.

Cat. No.	Description
5181-1273	5µL Fixed needle syringe
5181-1267	10µL Fixed needle syringe
5181-3360	10µL Fixed needle syringe, 6/pk
5181-3354	10µL Syringe, Teflon-tipped plunger
5181-3361	10µL Syringe, 6/pk, Teflon-tipped plunger

Straight Needle, 23s Gauge Autosampler Syringes

All syringes are fixed needle. Needles are 42mm in length and a HP point style.

Cat. No.	Description
5182-0875	5µL Fixed needle syringe, 6/pk
9301-0713	10µL Fixed needle syringe
9301-0725	10µL Fixed needle syringe, 6/pk
5183-4730	10µL Syringe, Teflon-tipped plunger, 6/pk
5183-2058	100µL Fixed needle syringe

Straight Needle, 26s Gauge Autosampler Syringes

All syringes are fixed needle. Needles are 42mm in length and a HP point style.

Cat. No.	Description
9301-0891	5µL Fixed needle syringe
9301-0714	10µL Fixed needle syringe

Agilent 7673/7683 On-Column Syringes

These on-column syringes with needle diameters for columns ranging from 0.25mm to 0.53mm were specifically designed for the 7673/7683 Autosampler.

Cat. No.	Description
5182-0836	5µL Removable needle syringe, barrel only
5182-0832	SS needle for 0.53mm column, 3/pk
5182-0831	SS needle for 0.32mm column, 3/pk
5182-0833	SS needle for 0.25mm column, 3/pk
5181-8866	Plunger button, 10/pk